

- Allows any power supply to be used in Class 2 Limited Energy applications.
- Multiple modules can be used with a single power supply.
- Can be configured to function as a solid state relay.
- Redundant current sensing and switching circuits for high reliability and safety.
- Includes overload and short circuit protection.
- UL recognized.

This module is an electronic device that limits energy to levels compliant with Class 2 requirements. It is used as an interface between a non-class 2 power supply and class 2 circuits. Multiple modules can be used with a single 24Vdc power supply.

Redundant current sensing and switching circuits provide high reliability and safe operation - even if one portion of the circuitry is damaged it should still be possible to switch off power to the load(s) if the

current exceeds the class 2 levels. By simply re-positioning a jumper the module can be configured for external control thus functioning as a relay as well as a current limiter.

In the event of an overcurrent condition the output power is switched off and the ALM (alarm) output is energized. To reset the module after the fault is removed an on-board pushbutton is activated or a digital input is pulsed. These inputs and outputs allow the module to be controlled and

monitored by a PLC or DCS. After a fault the module must be reset, it will not automatically turn on again.

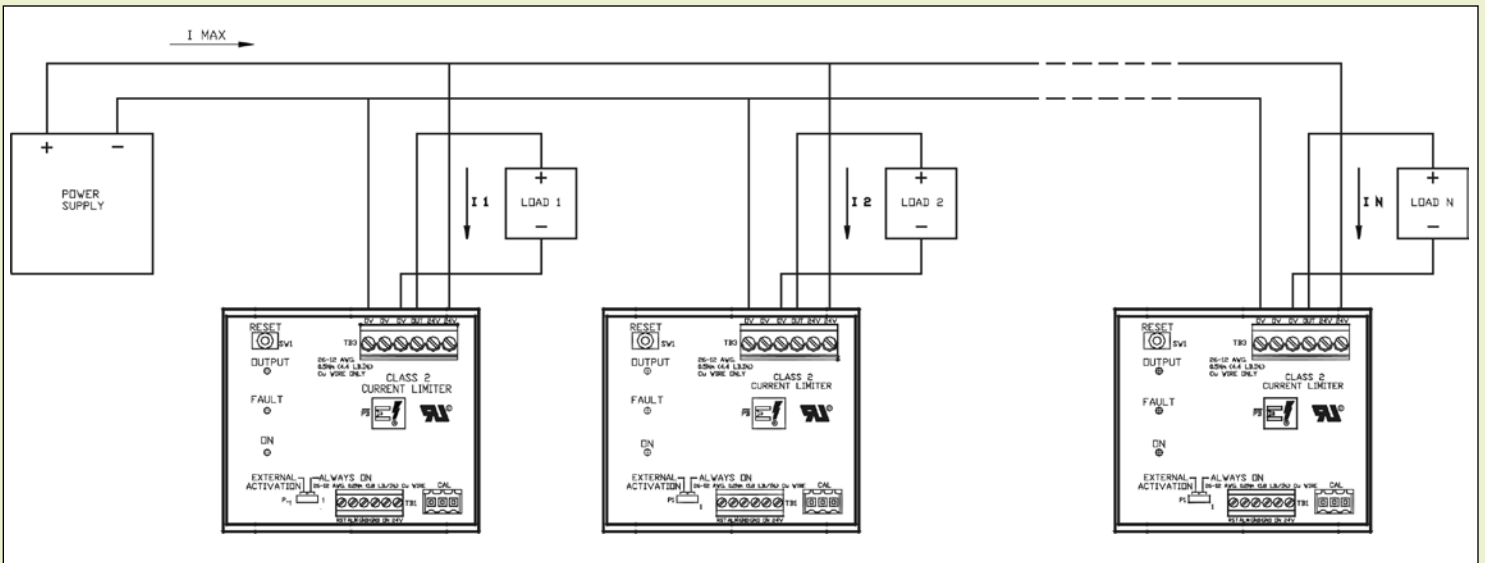
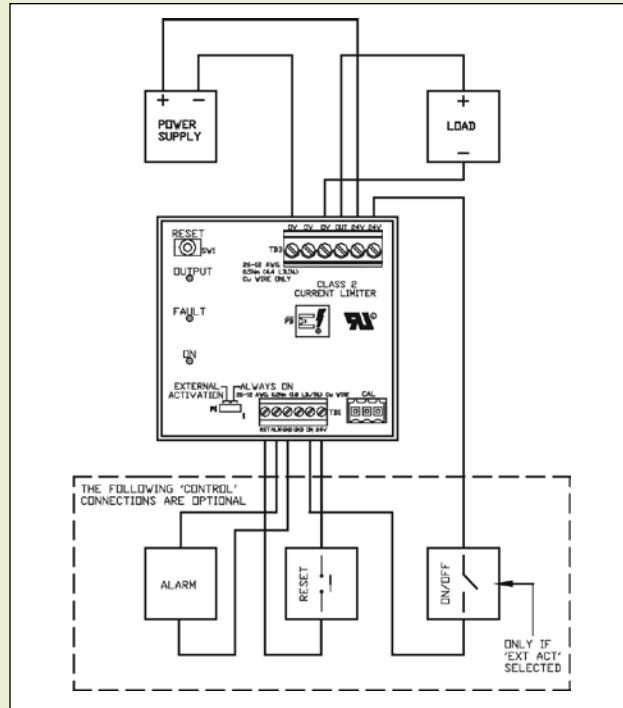
The SIGNEXT™ Class 2 Current Limiter is the ideal solution in control systems where a power supply must power class 2 and non-class 2 circuits or multiple class 2 circuits.

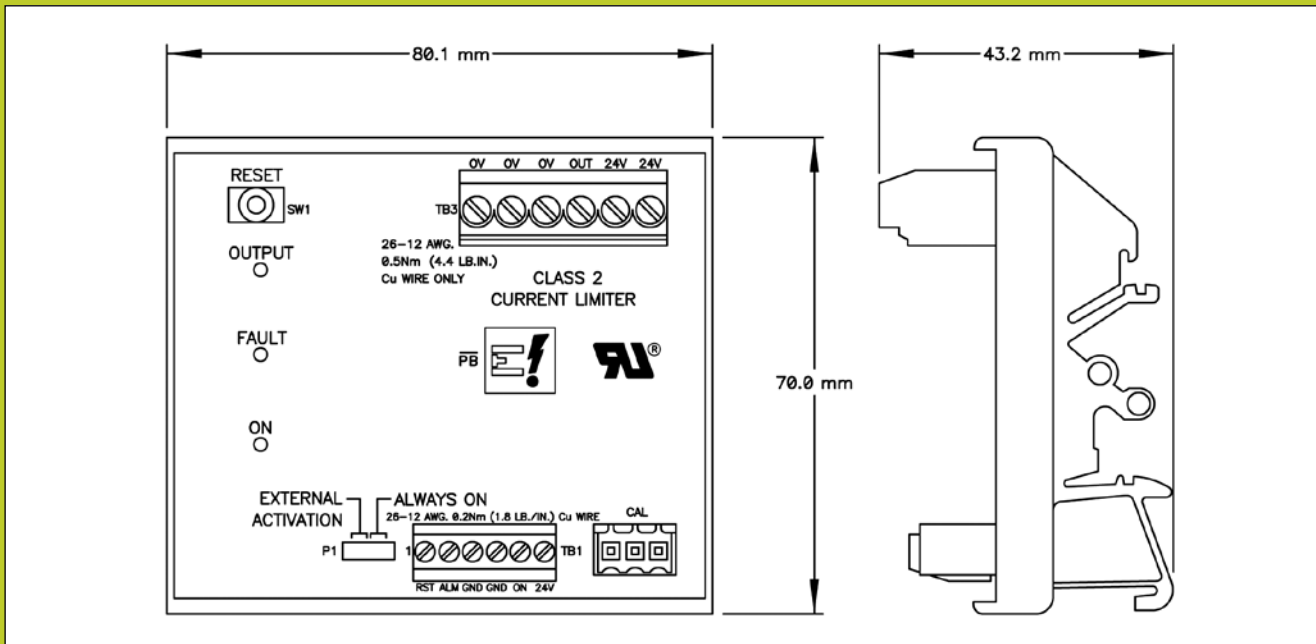
Ordering Information

Catalog Number **330246**

SPECIFICATIONS

SIGNEXT™ Class 2 Current Limiter				
Catalog Number:	330246			
Supply Voltage:	24Vdc nominal			
Vdrop input-output:	30mV/A nominal			
Output (load) current:	2.9A factory setting. Allows supply voltage to be increased to 30Vdc without exceeding Class 2 limits. Consult factory for custom settings.			
Quiescent current:	Approx. 30mA			
Response times:	Overload: fault detected if output exceeds 4.0A for 225mS nominal (150ms min.). Short circuit: fault detected if output is shorted for 15µs.			
Activation modes:	“External” : digital input used to turn module on and off (functions as solid state relay as well as current limiter) 24Vdc nominal, 1mA. “Continuous” : module turns on and off with supply voltage. Mode is selected using a plug jumper across terminals on module.			
Reset modes:	Overload: reset via pushbutton or digital input or cycling supply.			
Reset digital input:	24Vdc nominal, 5mA.			
Alarm output:	Active when module has detected an overload or short circuit.			
Status LEDs:	Status	ON LED	Fault LED	Output LED
	Off	-	-	-
	ON	Green	-	Green
	Overload	-	Fed	-
	Short Circuit	Green	-	-
Operating temperature:	-20° to +50°C			
Terminations:	DC power input / protected output: 26-12AWG 0.4Nm tightening torque. Control & Monitoring I/O: 28-14AWG, 0.2Nm tightening torque			
Approvals:	UL recognized, UL2367, E33847			





The 330246 SIGNEXT™ Class 2 Current Limiter is an accessory to our DC Plus™ Power Supplies shown below.



330200



330201



330202