

SIGNEXT™ 8 Channel Circuit Breaker/ Relay Module



- Single power input and 8 protected outputs in a 35mm wide housing
- Designed for 24Vdc applications
- All connections via plug and socket connectors
- 0V terminations provided for each output so no additional terminal blocks required

The SIGNEXT™ 8 Channel Circuit Breaker module provides 8 remotely controllable DC circuit breakers in a 35mm wide DIN rail mounted housing. That means less than 4mm per breaker!

The breaker mechanism is a supplemental rated thermal device that remains off once it has tripped (most thermal breakers reset automatically and cycle on and off if the fault is still present). Resetting a tripped breaker is accomplished via a pushbutton on the

module or via a digital input. The reset is common to all 8 breakers. LEDs indicate the status of each channel. All restrictions associated with supplemental breakers apply to this module.

The remote on/off feature allows this module to be used as an 8 pole relay with the relays fed from a common 24Vdc source.

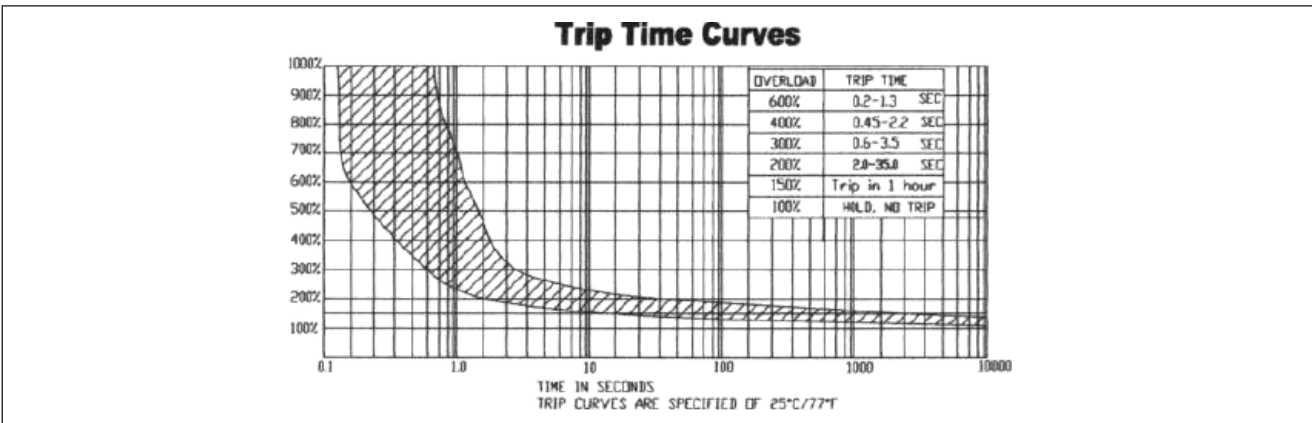
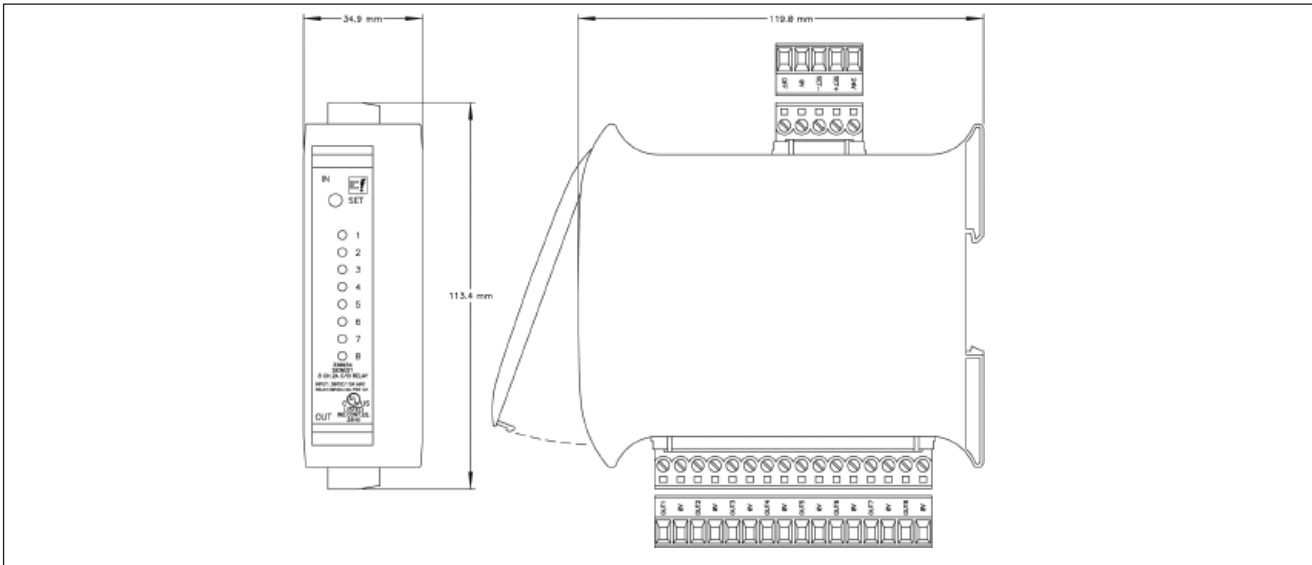
Intended as a power supply accessory, the thermal breakers are fast enough

that a fault in one circuit will trip the breaker before the power supply switches off. The interrupting rating is 500A so the short circuit fault current delivered by the 24Vdc supply cannot exceed this level.

Ordering information

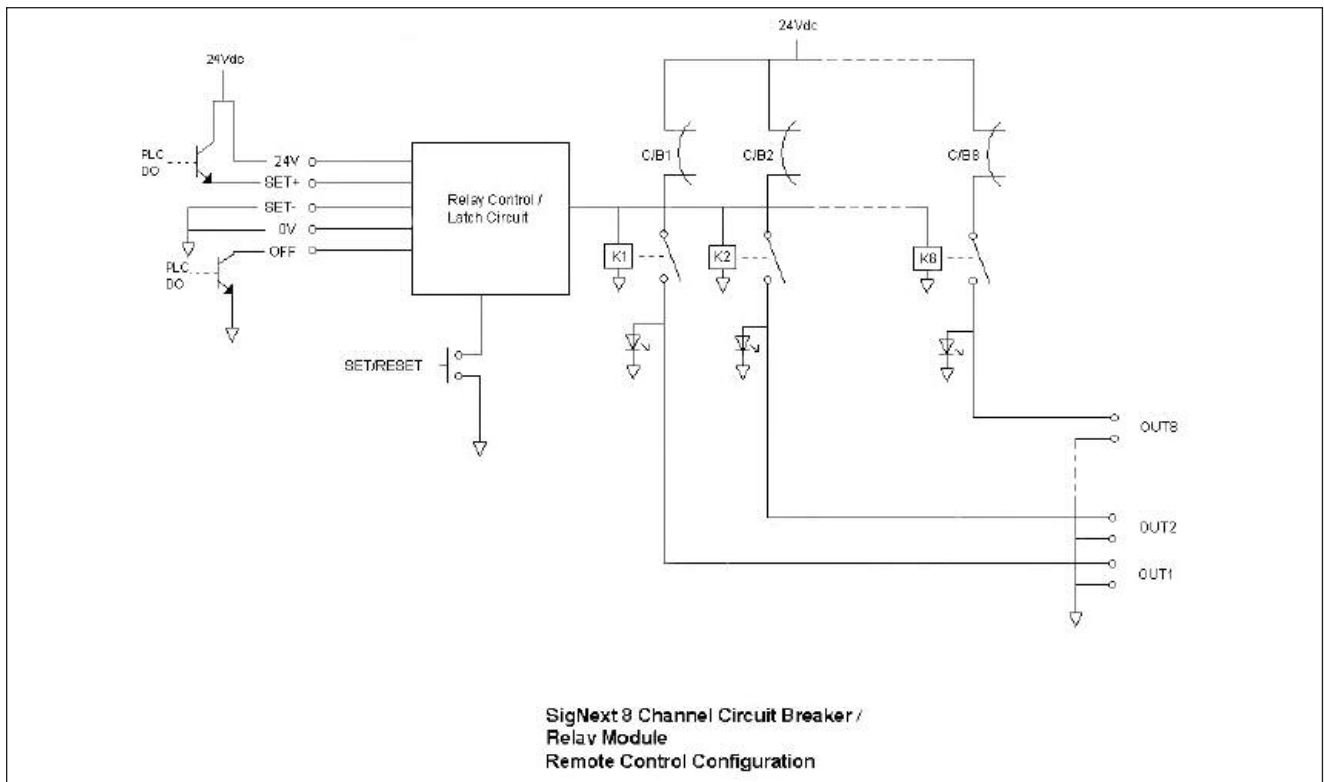
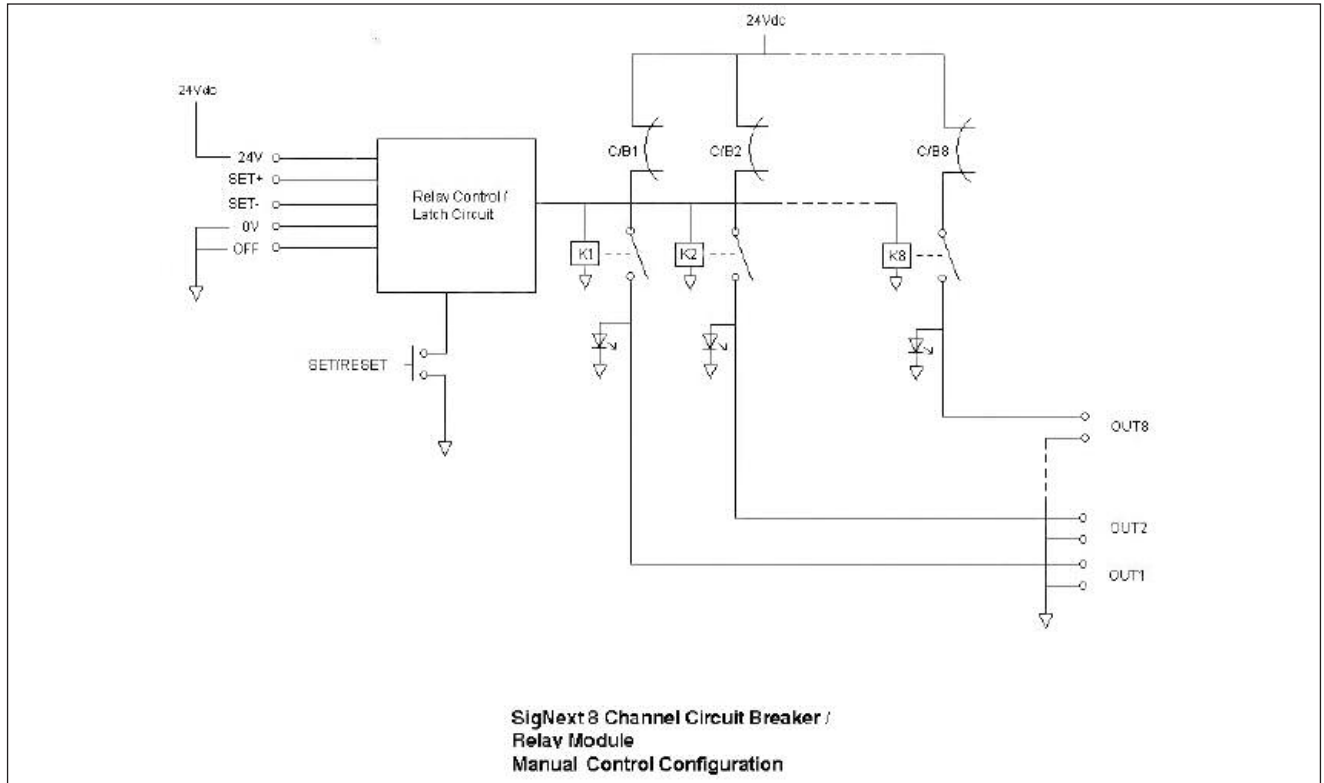
Catalog Number

8 x 0.5A	330077
8 x 1.0A	330078
8 x 1.5A	330079
8 x 2.0A	330034



SPECIFICATIONS

SIGNEXT™ 8 Channel Circuit Breaker / Relay Module	
Catalog Number	330077 330078 330079 330034
Input voltage:	24Vdc nominal
Total current @ Vnom:	15A max.
Output voltage:	24Vdc
Current:	2A max. per contact, 15A max. total
Trip time:	See trip curve
Interrupting current:	500A
Controls set / reset:	-24Vdc, 2 wire input configurable for sinking or sourcing signals
Off:	-Connected to 0V of supply to enable the module, interrupted to turn off outputs
Other temperature:	storage -40° to +60°C operating -20° to +40°C
Terminations:	plug and socket, 26-12 AWG
Approvals:	US LISTED, E256770



Other Overcurrent Protection Products from Emphatec!

InstaLink™ DC SSR

- 24Vdc solid state relay with user adjustable overcurrent threshold
- remote and manual reset options
- digital output indicates load status.



InstaLink™ - 8 Channel Circuit Breaker

- 8 supplemental rated thermal circuit breakers with common supply
- 24Vdc and 120Vac versions
- manual reset
- breaker status LEDs.

